

SEE DETAIL 506S-4A-SM FOR
GRADE RINGS, CONCRETE COLLAR,
AND RING & COVERS

PRECAST SECTION
SPL WW-146
SEE NOTE 4

BACKFILL
PER TRENCH
DETAILS

TYPICAL O-RING
SPL WW-146C

COATING AS
SPECIFIED AFTER
VACUUM TESTING
IS COMPLETED
SEE NOTE 6

CAULK INSIDE
OF ALL JOINTS

STD, PIPE TO MH
CONNECTOR SPL
WW-146D

USE THE SAME PIPE
MATERIAL AS LINE
BEING CONSTRUCTED.

4" MIN THICKNESS
ALL DIRECTION
AROUND PIPE
FLOWABLE FILL
SPEC 402S

MIN. MANHOLE DIAMETER	
PIPE SIZE	MIN. DIA.
LESS THAN 18"	4'-0"
18" - 24"	5'-0"
30" - 36"	6'-0"
GREATER THAN 36"	7'-0"

NOTE: THESE ARE MINIMUMS.
DIAMETER SIZE MAY INCREASE
DEPENDING ON NUMBER AND
ANGLES OF CONNECTIONS.

1" NON-SHRINK GROUT
CONTINUOUS ALONG
MANHOLE BASE JOINT

MANHOLE REHAB
SPL 511A
STARTING POINT
SEE NOTE 6

NON-SHRINK
GROUT

SEE NOTE 5

24" MIN.
SEE
SHEET 3

#5 RING
ASTM C33 EMBEDMENT
SIZE NO. 57 OR
SIZE NO. 67

6" MIN.
2' MAX.

5 at 12" ON
CENTER VERTICAL
3,000 P.S.I. CONCRETE

3" CLR.
TYPICAL

STD, PIPE TO MH
CONNECTOR SPL
WW-146D

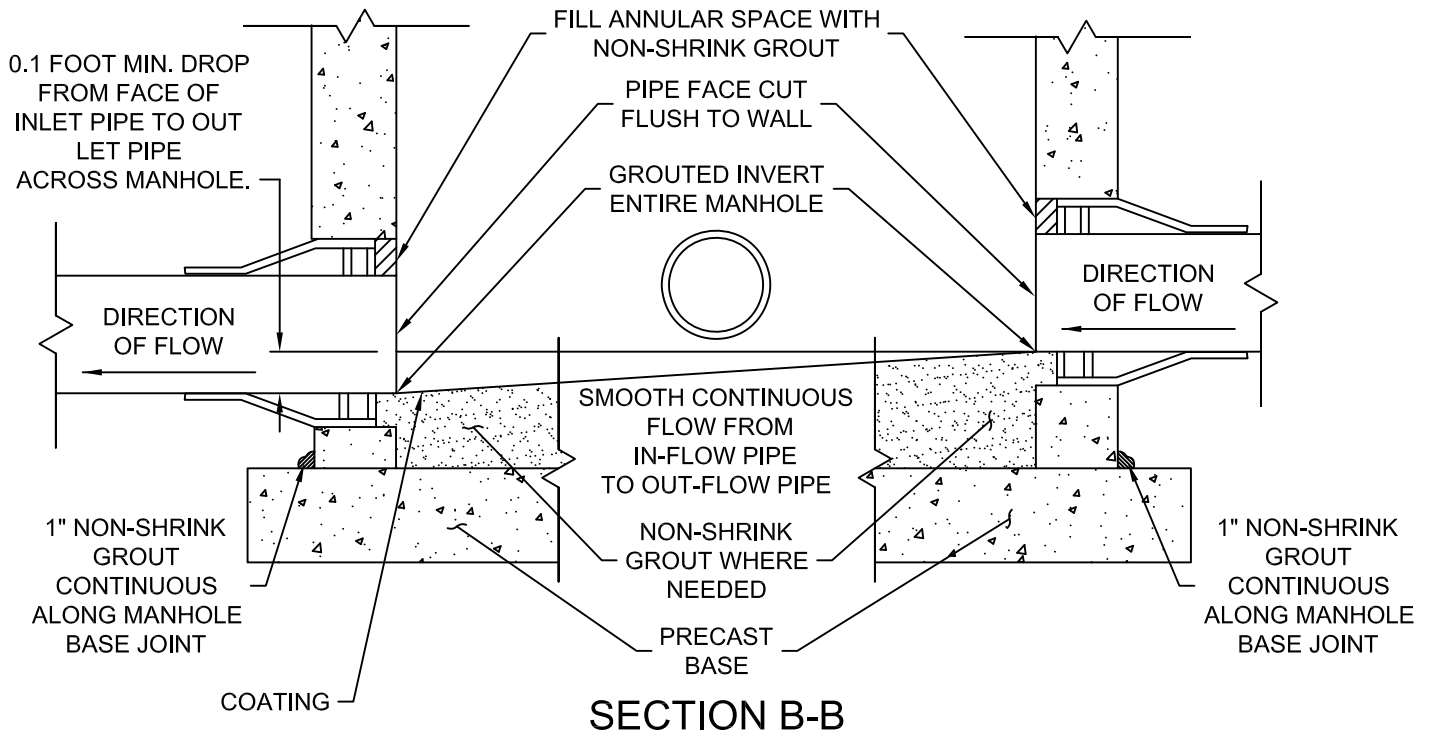
SECTION A-A

NOTES:

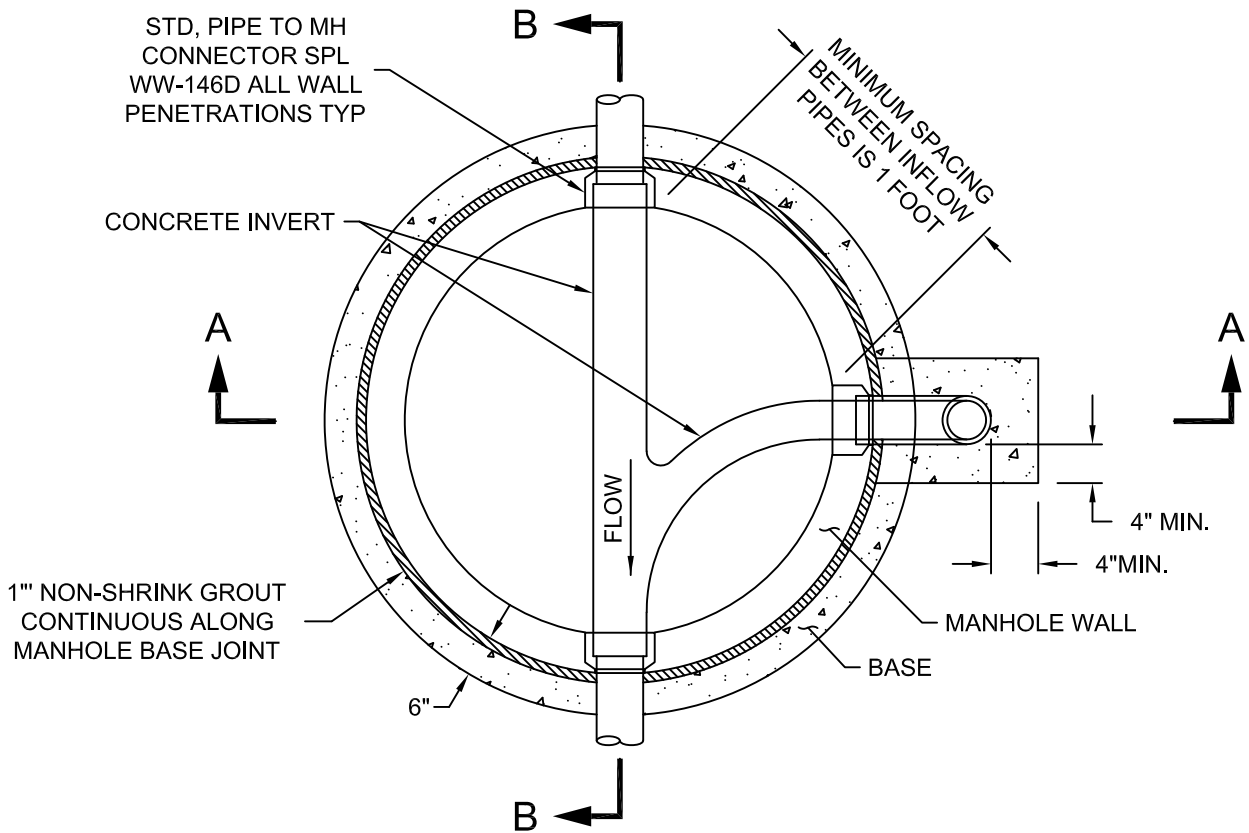
1. SEE PLANS FOR MANHOLE LOCATION, CONFIGURATION, PIPE SIZES AND TYPES.
2. SEE SPECIFICATIONS ON MATERIALS AND CONSTRUCTION.
3. MONOLITHIC MANHOLE TO BE CAST-IN-PLACE SHALL CONFORM TO ASTM SPECIFICATION C478 FOR MATERIALS AND DESIGN. MANUFACTURER TO PROVIDE DETAILS.
4. MANHOLES FOR MAINS 24" AND LARGER SHALL HAVE ECCENTRIC RISER SECTIONS.
5. DEPTH OF U CHANNEL WILL BE 3/4 THE DIAMETER OF PIPES 24" OR LESS AND WILL BE THE DIAMETER OF PIPES GREATER THEN 24"
6. MANHOLE COATING LIMITS - COAT ALL OF THE MANHOLE WALLS
AT TOP OF MANHOLE: SEE DETAIL 506S-4A-SM FOR END LOCATION AT GRADE RINGS
AT BOTTOM OF MANHOLE:
NEW MANHOLES - COAT PER SPL 511; INCLUDING THE BOTTOM AND INVERT
MANHOLE REHABILITATION - COAT PER SPL 511A; EXCLUDING THE BOTTOM AND INVERT

The City of San Marcos Engineering and Capital Improvements	CURRENT AS OF 1/1/2022	WASTEWATER MANHOLE ON PRECAST BASE WITH EXTERIOR DROP	
	RECORD COPY SIGNED BY LAURIE MOYER, P.E.	1/1/2021 ADOPTED	THE ARCHITECT/ENGINEER ASSUMES RESPONSIBILITY FOR APPROPRIATE USE OF THIS STANDARD.
		STANDARD NO. 506S-8-SM	1 OF 3

INVERT DETAIL

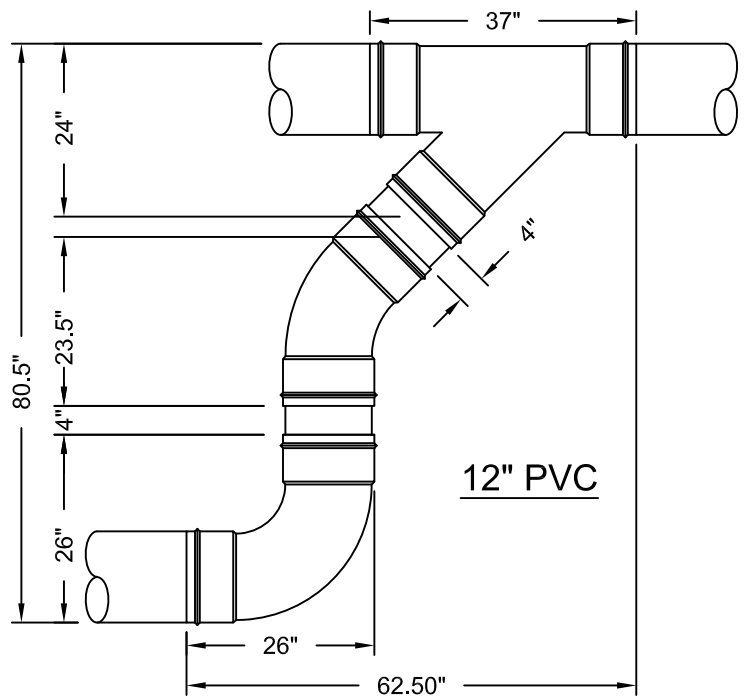
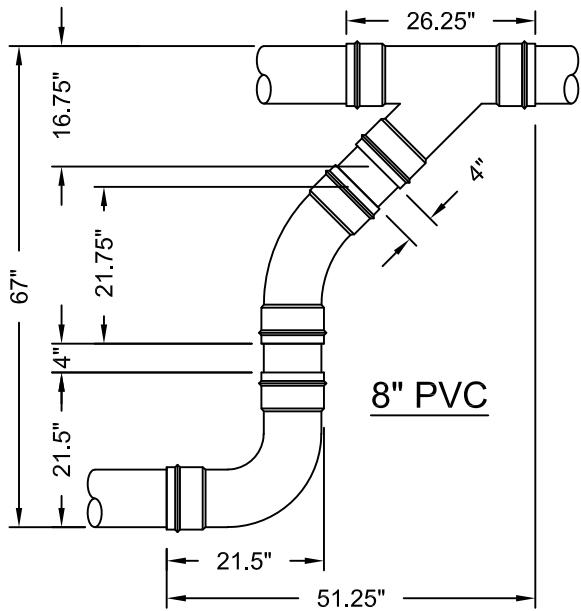


INVERT PLAN VIEW

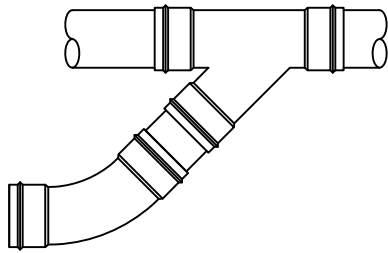


<p>The City of San Marcos Engineering and Capital Improvements</p>	<p>CURRENT AS OF 1/1/2022</p>	<p>WASTEWATER MANHOLE ON PRECAST BASE WITH EXTERIOR DROP</p>	
<p>RECORD COPY SIGNED BY <u>LAURIE MOYER, P.E.</u></p>	<p>1/1/2021 ADOPTED</p>	<p>THE ARCHITECT/ENGINEER ASSUMES RESPONSIBILITY FOR APPROPRIATE USE OF THIS STANDARD.</p>	<p>STANDARD NO. 506S-8-SM 2 OF 3</p>

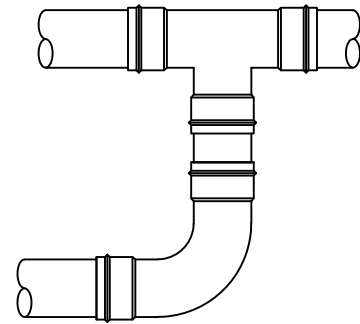
**STANDARD DROP CONNECTIONS
MINIMUM DIMENSIONS
(FOR INFORMATION ONLY)**



ALTERNATIVE OPTIONS



WYE CONNECTION



TEE CONNECTION

REFERENCES
 DETAIL 503S-4W-SM
 DETAIL 503S-5W-SM
 DETAIL 506S-4A-SM

<p>The City of San Marcos Engineering and Capital Improvements</p>	<p>CURRENT AS OF 1/1/2022</p>	<p align="center">WASTEWATER MANHOLE ON PRECAST BASE WITH EXTERIOR DROP</p>	
<p>RECORD COPY SIGNED BY LAURIE MOYER, P.E.</p>	<p>1/1/2021 ADOPTED</p>	<p>THE ARCHITECT/ENGINEER ASSUMES RESPONSIBILITY FOR APPROPRIATE USE OF THIS STANDARD.</p>	<p align="center">STANDARD NO. 506S-8-SM 3 OF 3</p>