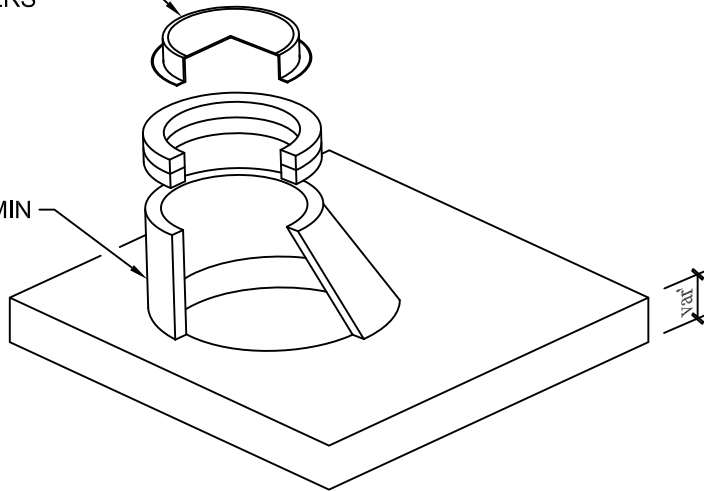
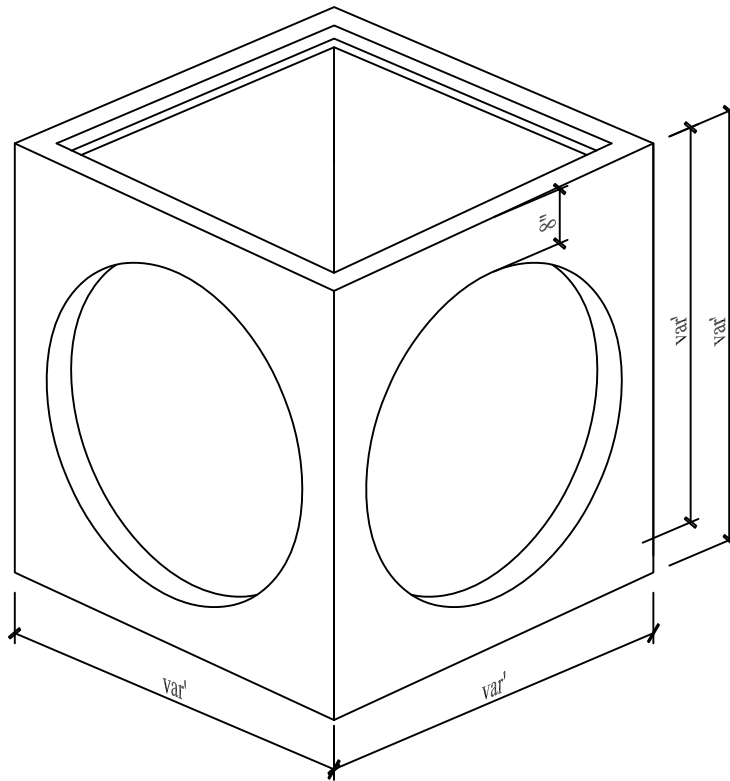


SEE DETAIL 506S-4A-SM  
FOR GRADE RINGS,  
CONCRETE COLLAR, AND  
RING & COVERS

TAPERED CONE 24" MIN



BOTTOM SECTION  
KNOCKOUTS AS  
REQUESTED



4 x 4
5 x 5
6 x 6

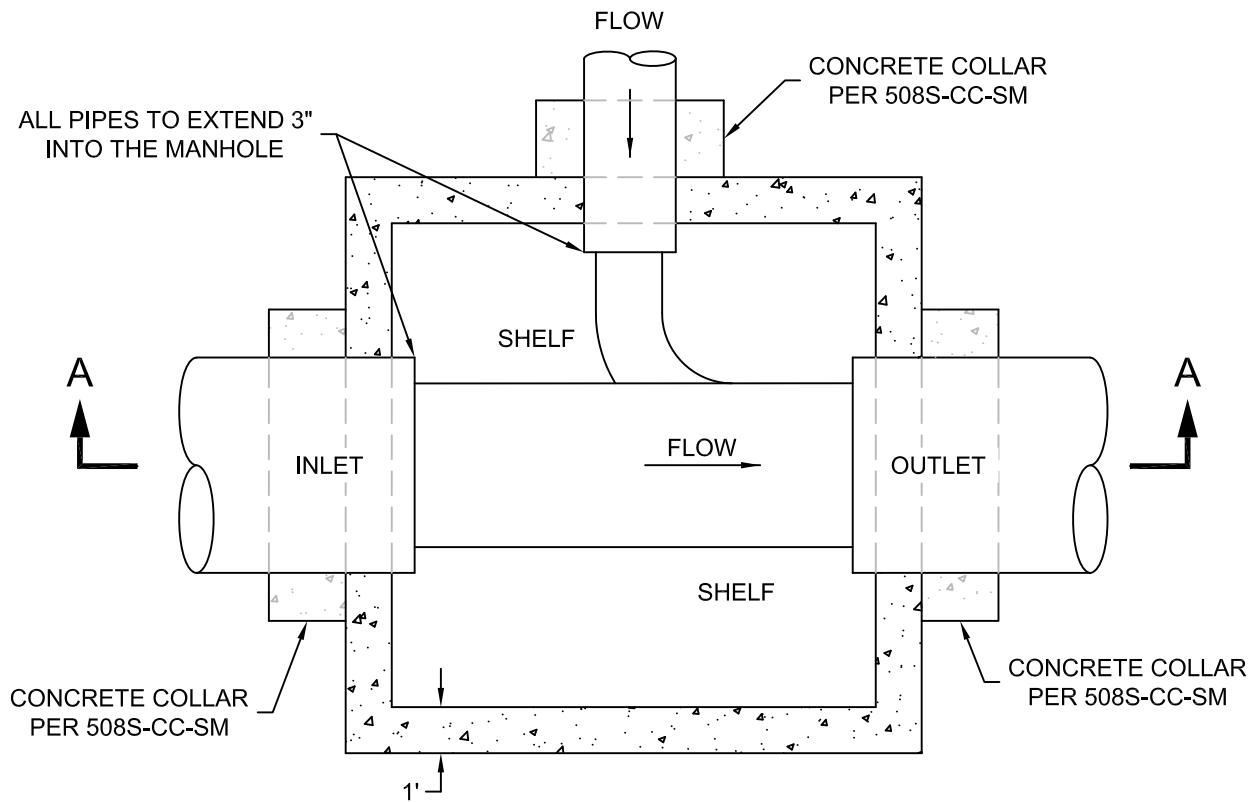
\*OTHER SIZES  
AVAILABLE ON  
REQUEST

**SPECIFICATIONS:**

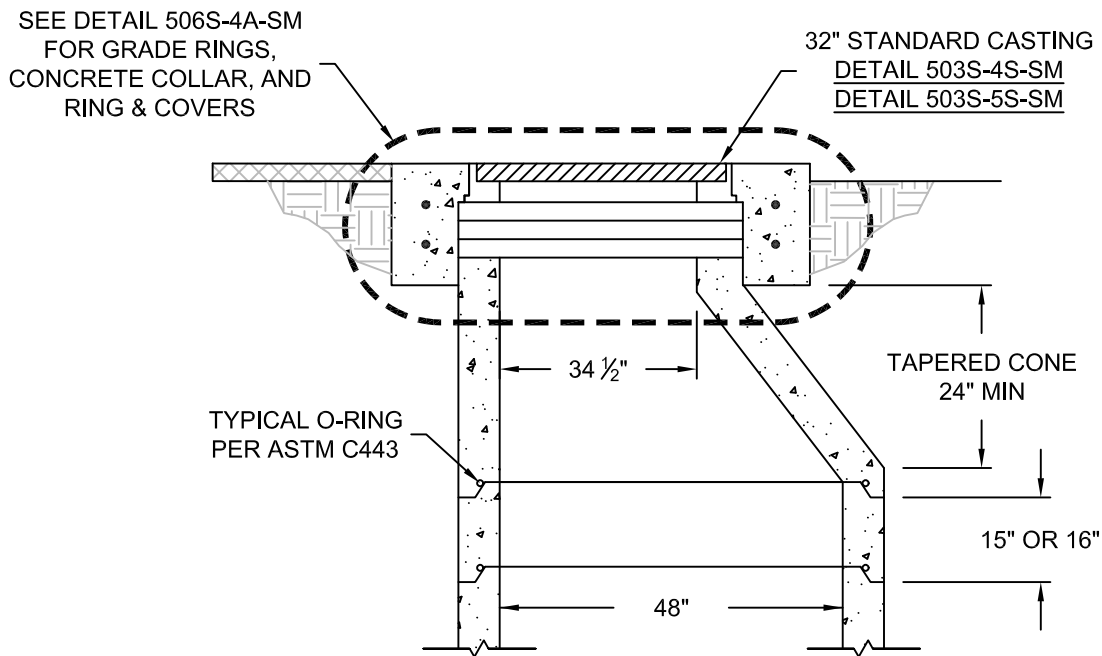
- CONCRETE HAS A 28 DAY STRENGTH OF 5,000 PSI
- STEEL REINFORCEMENT S ASTM A615 GRADE 60
- LOAD DESIGN IS H-20

**NOTES:**  
- CONSULT  
MANUFACTURER  
BEFORE HANDLING

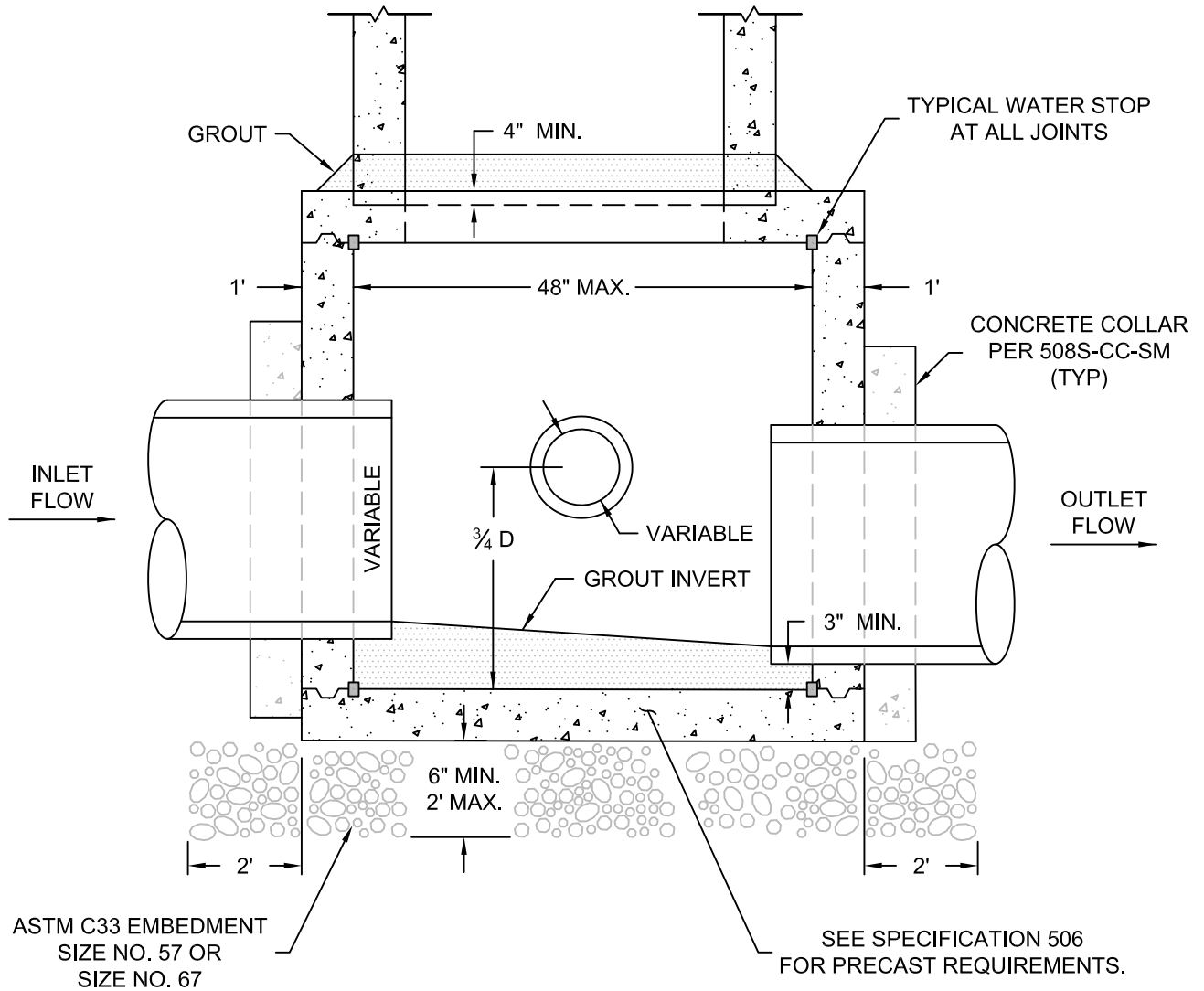
<b>The City of San Marcos</b> Engineering and Capital Improvements		CURRENT AS OF 1/1/2022	<b>PRE-CAST STORM JUNCTION BOX</b>	
RECORD COPY SIGNED BY <hr/> LAURIE MOYER, P.E.		1/1/2022 <hr/> ADOPTED	THE ARCHITECT/ENGINEER ASSUMES RESPONSIBILITY FOR APPROPRIATE USE OF THIS STANDARD.	STANDARD NO. <b>506S-5-SM</b> 1 OF 3



**PLAN VIEW**



<p><b>The City of San Marcos</b> Engineering and Capital Improvements</p>	<p>CURRENT AS OF 1/1/2022</p>	<p><b>PRE-CAST STORM JUNCTION BOX</b></p>	
<p>RECORD COPY SIGNED BY  LAURIE MOYER, P.E.</p>	<p>1/1/2022  ADOPTED</p>	<p>THE ARCHITECT/ENGINEER ASSUMES RESPONSIBILITY FOR APPROPRIATE USE OF THIS STANDARD.</p>	<p>STANDARD NO. <b>506S-5-SM</b> 2 OF 3</p>



**SECTION A-A**

<p>The City of San Marcos Engineering and Capital Improvements</p>	<p>CURRENT AS OF 1/1/2022</p>	<p>PRE-CAST STORM JUNCTION BOX</p>	
<p>RECORD COPY SIGNED BY LAURIE MOYER, P.E.</p>	<p>1/1/2022 ADOPTED</p>	<p>THE ARCHITECT/ENGINEER ASSUMES RESPONSIBILITY FOR APPROPRIATE USE OF THIS STANDARD.</p>	<p>STANDARD NO. <b>506S-5-SM</b> 3 OF 3</p>