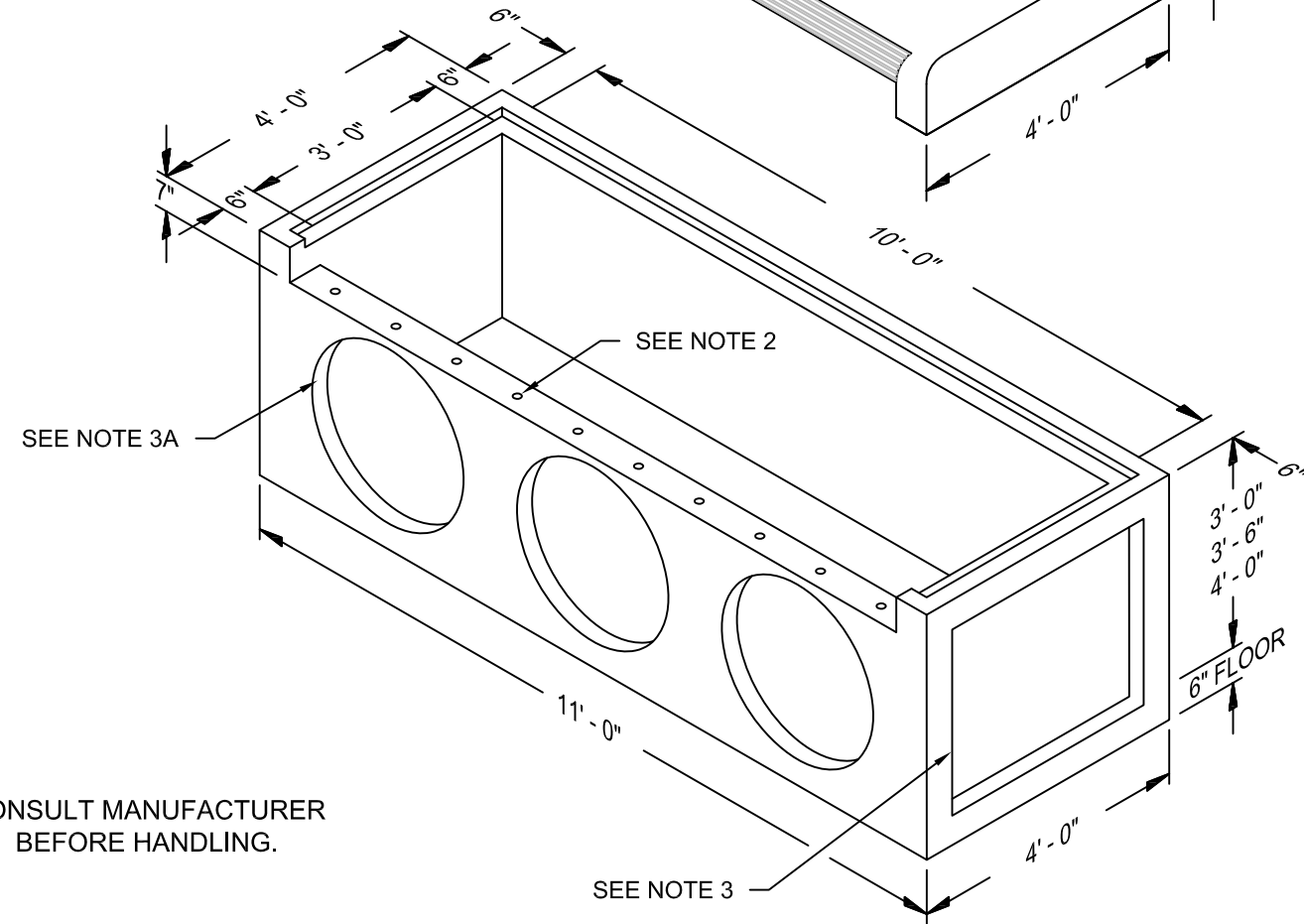
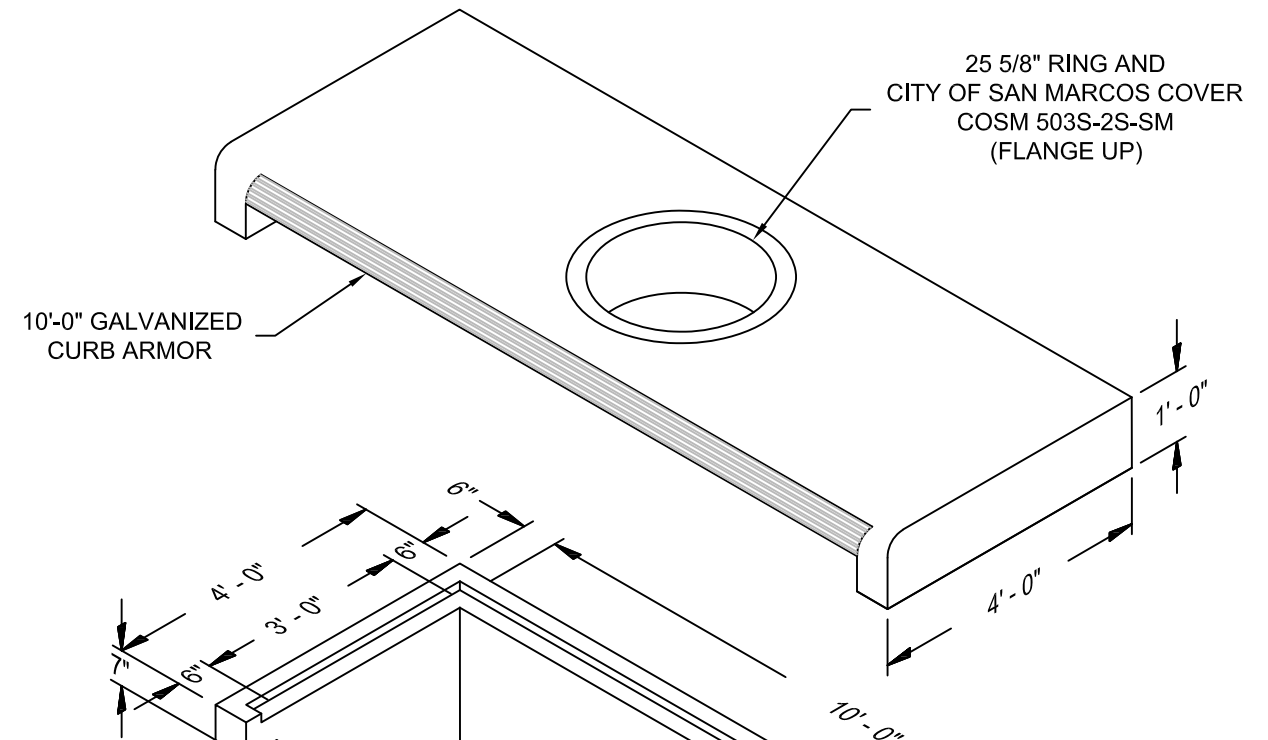


**5' CURB INLET**

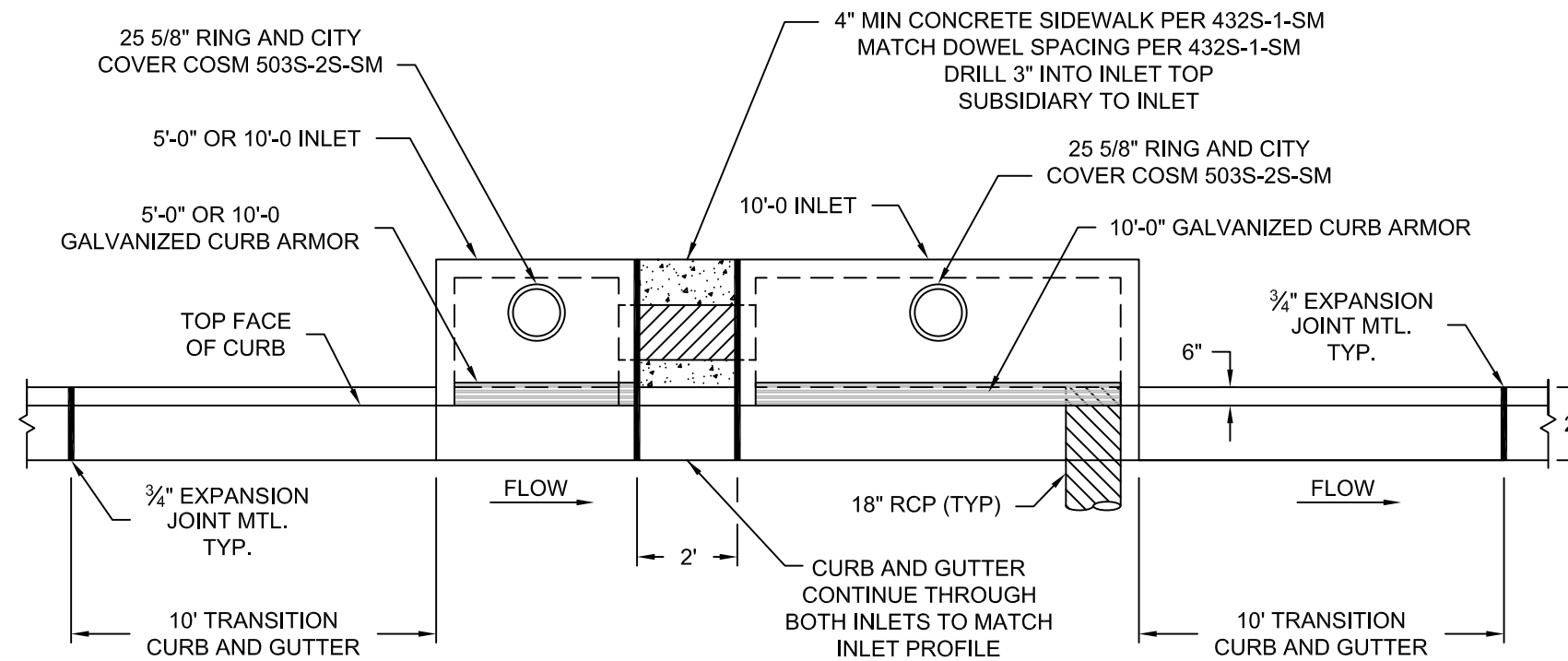


**10' CURB INLET**

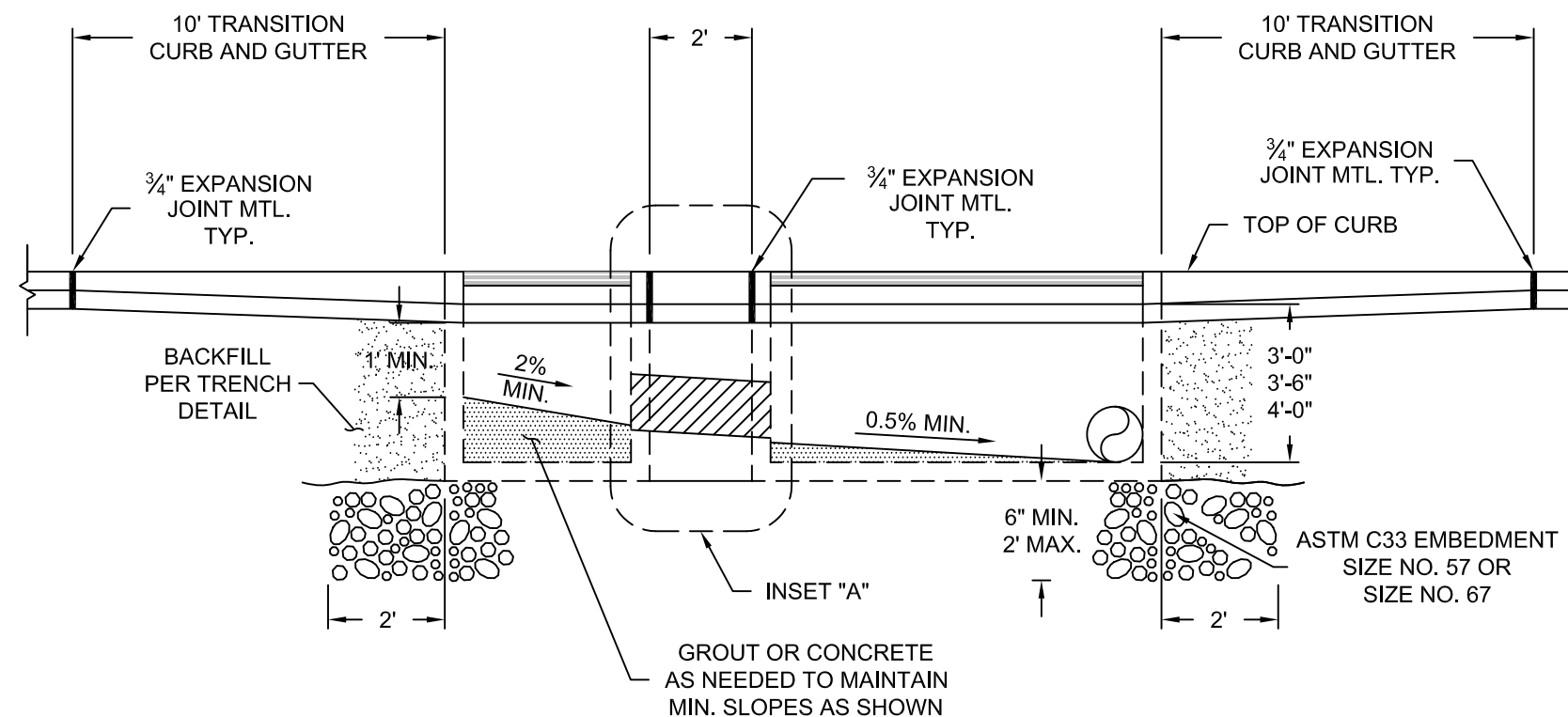
**GENERAL NOTES:**

1. REINFORCING STEEL SHALL COMPLY WITH ASTM A615 GRADE 60. BAR BENDING AND PLACEMENT SHALL COMPLY WITH LATEST ACI STANDARDS. DESIGN BASED ON AASHTO HS 20 LOADING.
2. DRILL 6" DEEP HOLES (5/8" DIA.) AT 12" O.C. ON 3'-6" AND 4'-0" BASES. HOLES SHALL BE DRILLED IN THE FIELD PER THE DIRECTION OF THE CITY INSPECTOR ON 3'-0" BASES.
- 3A. 30" DIA. TWKO'S ON FRONT AND REAR OF 10'-0" INLETS. 36"W x 30"H TWKO'S ON BOTH END WALLS OF 10'-0" INLETS.
- 3B. 54" W x 30"H TWKO'S ON FRONT AND REAR OF 5'-0" INLETS. 36" W x 30"H TWKO'S ON BOTH END WALLS OF 5'-0" INLETS.
4. CHAMFER ALL EXPOSED EDGES (3/4").
5. THE CONTRACTOR MAY PROPOSE ALTERNATE PROCEDURES FOR THE CONSTRUCTION OF INLETS, INCLUDING CAST IN PLACE UNITS. PLANS FOR SUCH SHALL BE SUBMITTED TO THE ENGINEER FOR REVIEW AND APPROVAL BEFORE CONSTRUCTION.
6. ALL CONCRETE SHALL BE CLASS "C" AS PER ITEM 403S.
7. PAYMENT FOR INLET AT THE CONTRACT PRICE SHALL INCLUDE THE TRANSITION CURB, IN ACCORDANCE WITH CITY OF SAN MARCOS STANDARD INLET DESIGN.
8. INVERT OF INLET SHALL BE SLOPED 1:20 WITH FILL CONCRETE BY CONTRACTOR, SHAPED AS "V" SECTION.
9. THIS STANDARD COMPLIES WITH COSM STANDARD SPECIFICATIONS ITEM NO. 508S.
10. IF A 5' INLET IS USED; IT SHALL BE PLACED UPSTREAM OF THE 10' INLET.

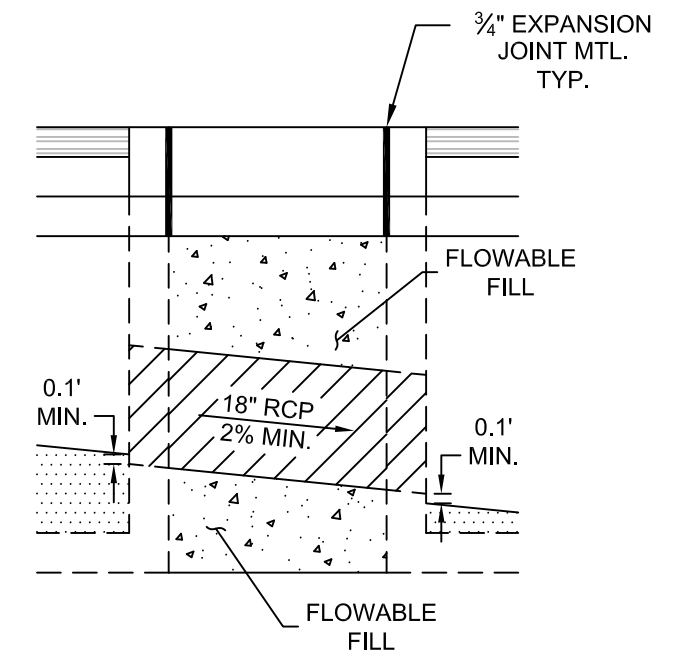
<b>The City of San Marcos</b> Engineering and Capital Improvements		CURRENT AS OF 3/16/2022
RECORD COPY SIGNED BY		3/16/2022
SHAUN CONDOR, P.E.		ADOPTED
<b>DUEL PRE-CAST CURB INLETS</b>		
THE ARCHITECT/ENGINEER ASSUMES RESPONSIBILITY FOR APPROPRIATE USE OF THIS STANDARD.		STANDARD NO. <b>508S-3A-SM</b>
1 OF 2		



**PLAN VIEW**



**ELEVATION**



**INSET "A"**

REFERENCES  
 DETAIL 430S-3-SM  
 DETAIL 503S-1-SM  
 DETAIL 508S-3-SM

The City of San Marcos Engineering and Capital Improvements		CURRENT AS OF 3/16/2022
RECORD COPY SIGNED BY		3/16/2022
SHAUN CONDOR, P.E.		ADOPTED
<b>DUEL PRE-CAST CURB INLETS</b>		
THE ARCHITECT/ENGINEER ASSUMES RESPONSIBILITY FOR APPROPRIATE USE OF THIS STANDARD.		STANDARD NO. <b>508S-3A-SM</b> 2 OF 2