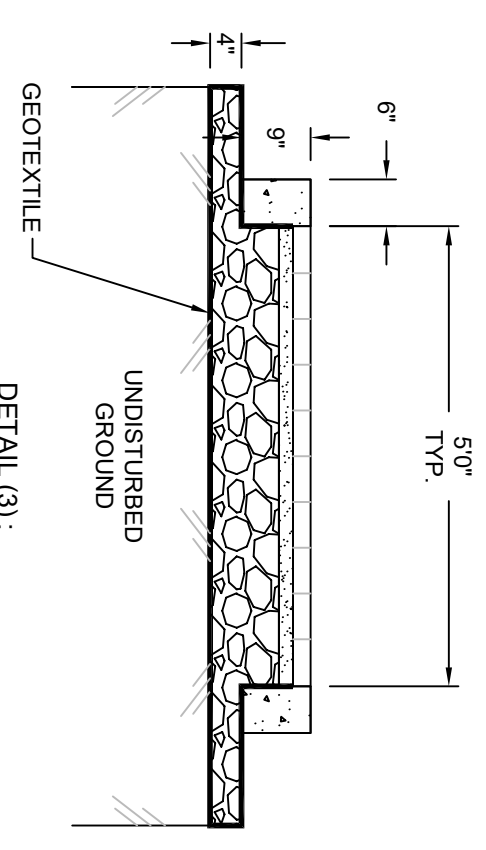
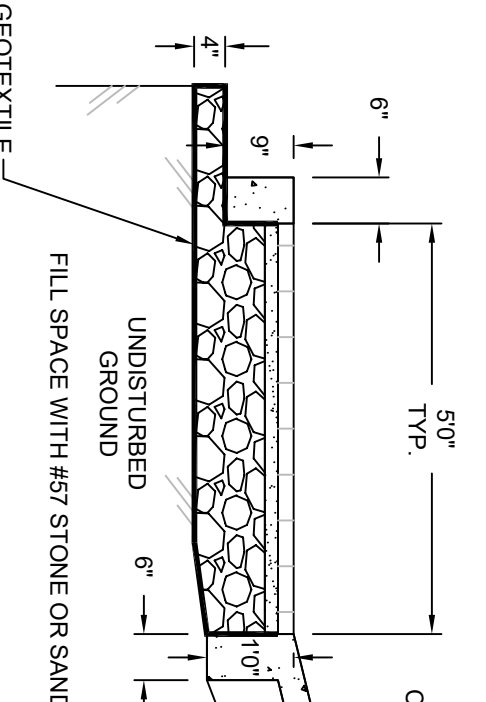


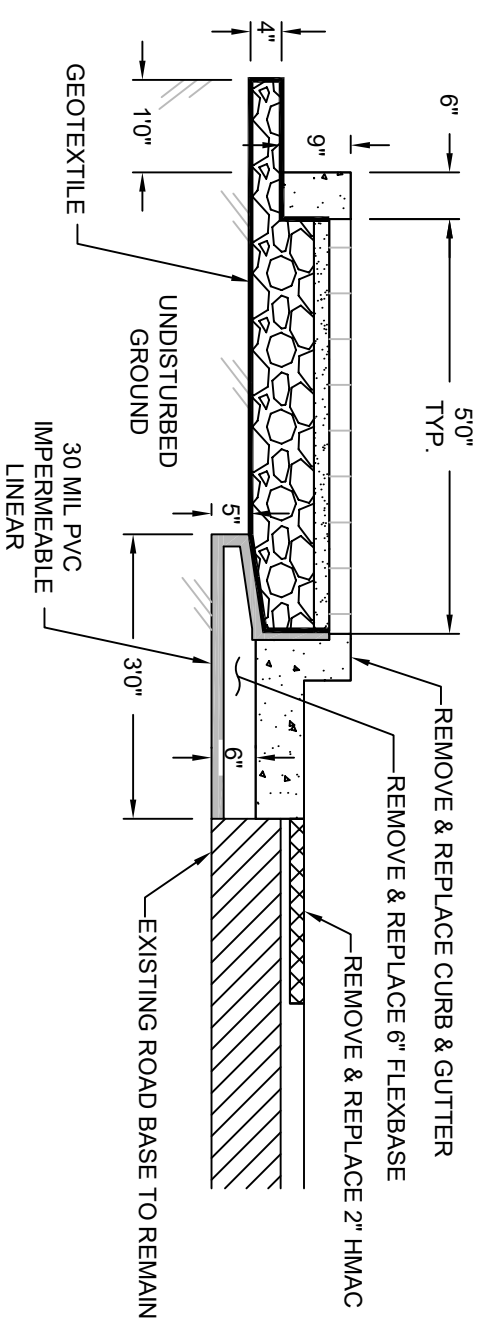
DETAIL (1):
SIDEWALK PAVERS
BETWEEN RETAINING WALL AND CURB



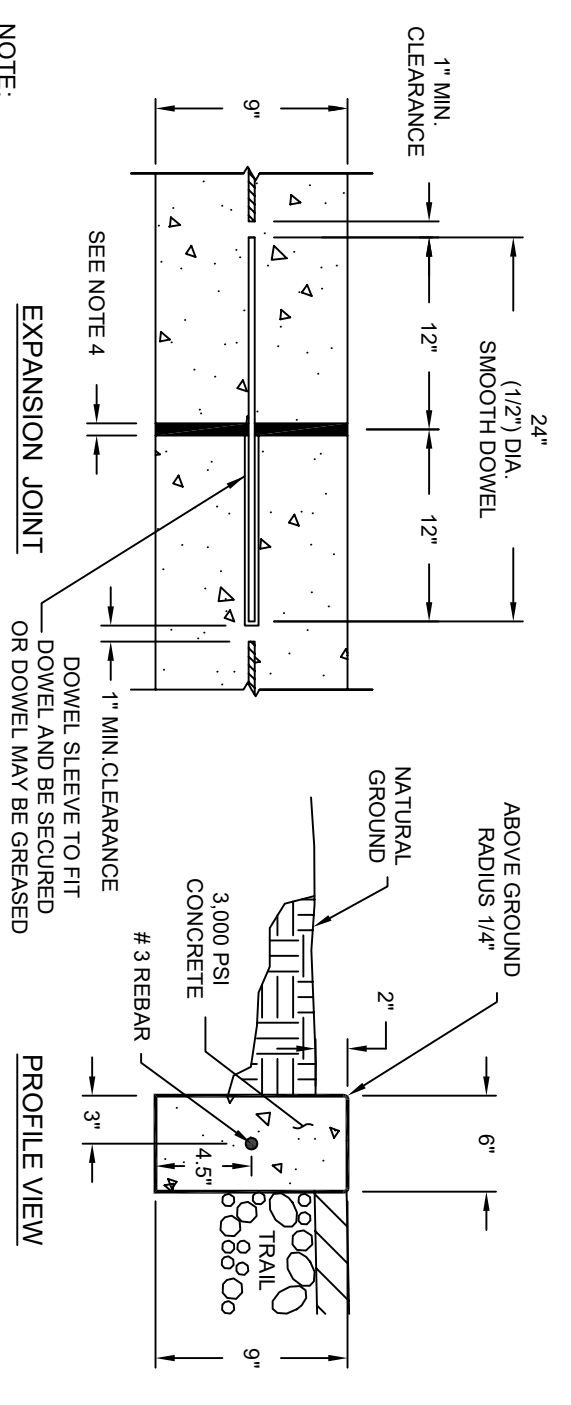
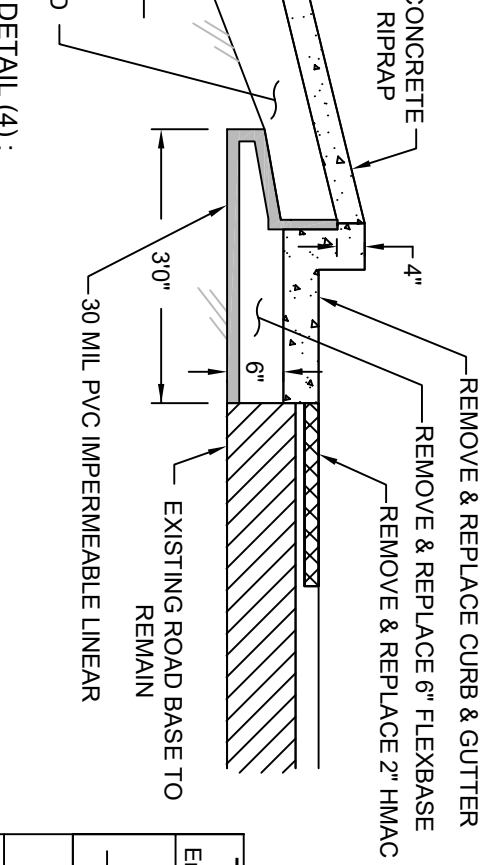
DETAIL (3):
SIDEWALK PAVERS
BETWEEN PAVER BORDER AND PAVER BORDER



DETAIL (2):
SIDEWALK PAVERS
BETWEEN PAVER BORDER AND CURB

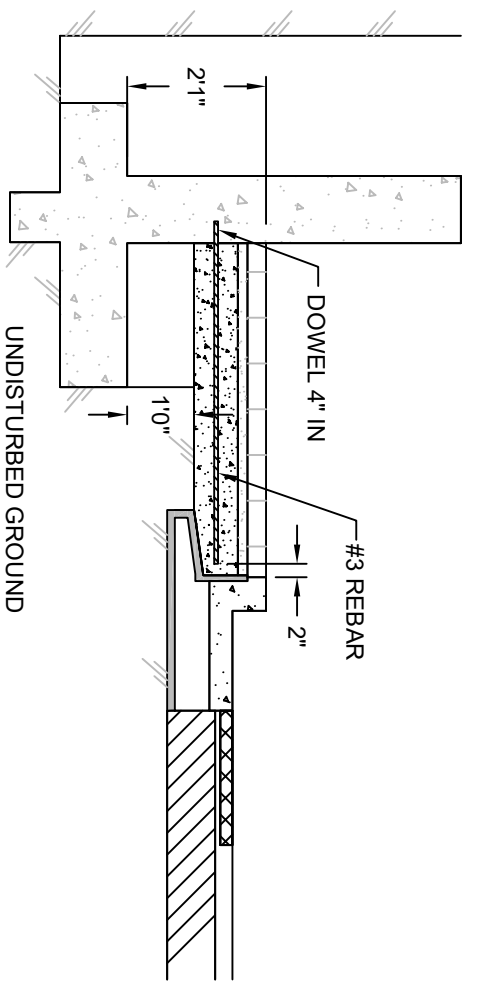
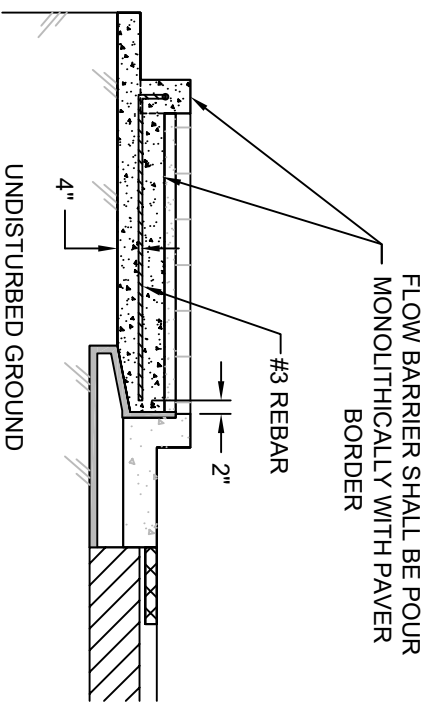
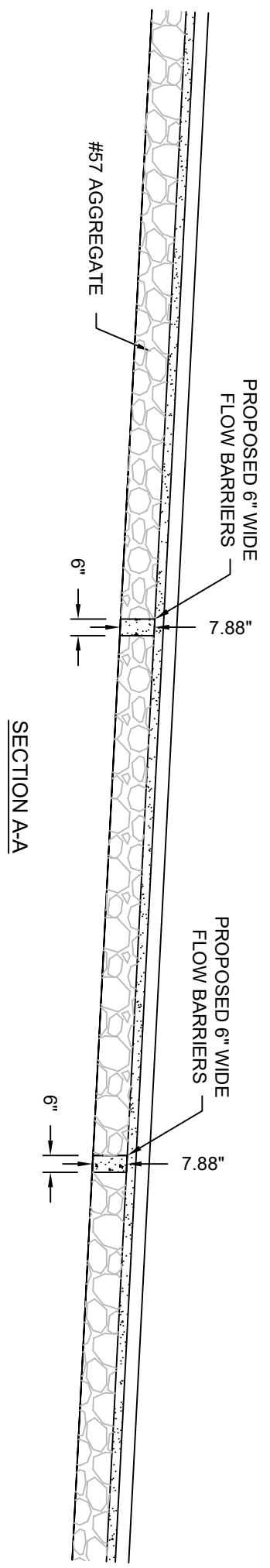
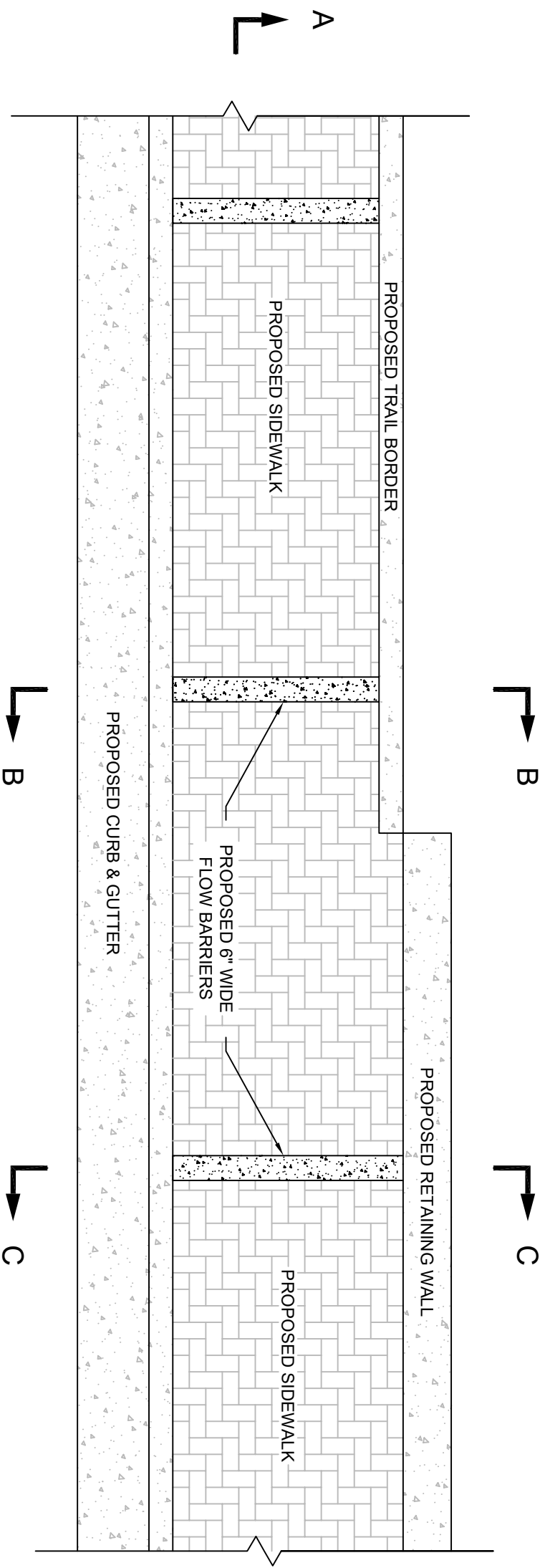


DETAIL (4):
SIDEWALK PAVERS
BETWEEN PAVER BORDER AND RIPRAP



- NOTE:
- #3 REBAR WILL BE CENTERED IN CONCRETE CURB PER DETAIL.
 - CONTROL JOINT SHOULD BE TOOLED EVERY 10 FEET ALONG LENGTH OF TRAIL.
 - CONSTRUCT 3/4" REDWOOD EXPANSION JOINTS AT MAXIMUM 40'-0" SPACING ALONG LENGTH OF TRAIL. EXPANSION JOINTS SHALL INCLUDE A SMOOTH DOWEL CENTERED IN CURB PLACED 6" FROM TOP AND BOTTOM AND 3" FROM EACH SIDE.

The City of San Marcos Engineering and Capital Improvements		CURRENT AS OF 1/11/2023
RECORD COPY SIGNED BY LAURIE MOYER, P.E.	1/11/2020 ADOPTED	
SIDEWALK PAVERS		STANDARD NO. 481S-PP-SM
THE ARCHITECT/ENGINEER ASSUMES RESPONSIBILITY FOR APPROPRIATE USE OF THIS STANDARD.		1 OF 2



- NOTES:**
1. FLOW BARRIERS ARE SUBSIDIARY TO PAVEMENT SIDEWALK PAY ITEM.
 2. FLOW BARRIERS SHALL BE PLACED EVERY 10 FT.
 3. REPLACE #57 STONE WITH CLASS A CONCRETE; AS SHOWN ON THIS SHEET.

The City of San Marcos Engineering and Capital Improvements		CURRENT AS OF 1/1/2023
RECORD COPY SIGNED BY LAURIE MOYER, P.E.	1/1/2020	ADOPTED
SIDEWALK PAVERS		
THE ARCHITECT/ENGINEER ASSUMES RESPONSIBILITY FOR APPROPRIATE USE OF THIS STANDARD.	STANDARD NO. 481S-PP-SM	2 OF 2

SECTION B-B

SECTION A-A

SECTION C-C